

REACH TABLES



Description

Seated Table Curved Adjustable Leg in Fusion Maple

These extra wide rectangular Reach Tables are a great core component for creating beautiful and collaborative learning environments where many students can be together.

The aesthetically pleasing table top design is based on the flowing curves you'd find in nature, allowing the tables to interlock together creating longer or wider surface areas as needed. Reach Tables come in a vast range of sizes and configurations to suit every age group.

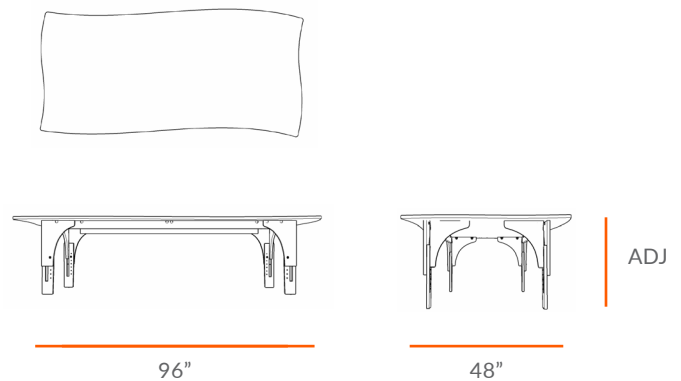
They are available in small, medium and large height legs, all of which are adjustable for further growth, so the tables can grow as your students do!

Product features

- Edges all smoothed and finished
- Floor Glides
- Expandable surface by nesting in any direction
- Adjustable tables legs

Views

Refer to Technical Sheet for more details.



Materials

- Europly FSC Certified hardwood plywood (FSC R 012337)

REACH TABLES

SMALL LEGS	13"	18"
MEDIUM LEGS	17"	24"
LARGE LEGS	25" min ht (in)	30" max ht (in)

Dimensions indicated are approximate. Please contact us if you require clarification.

